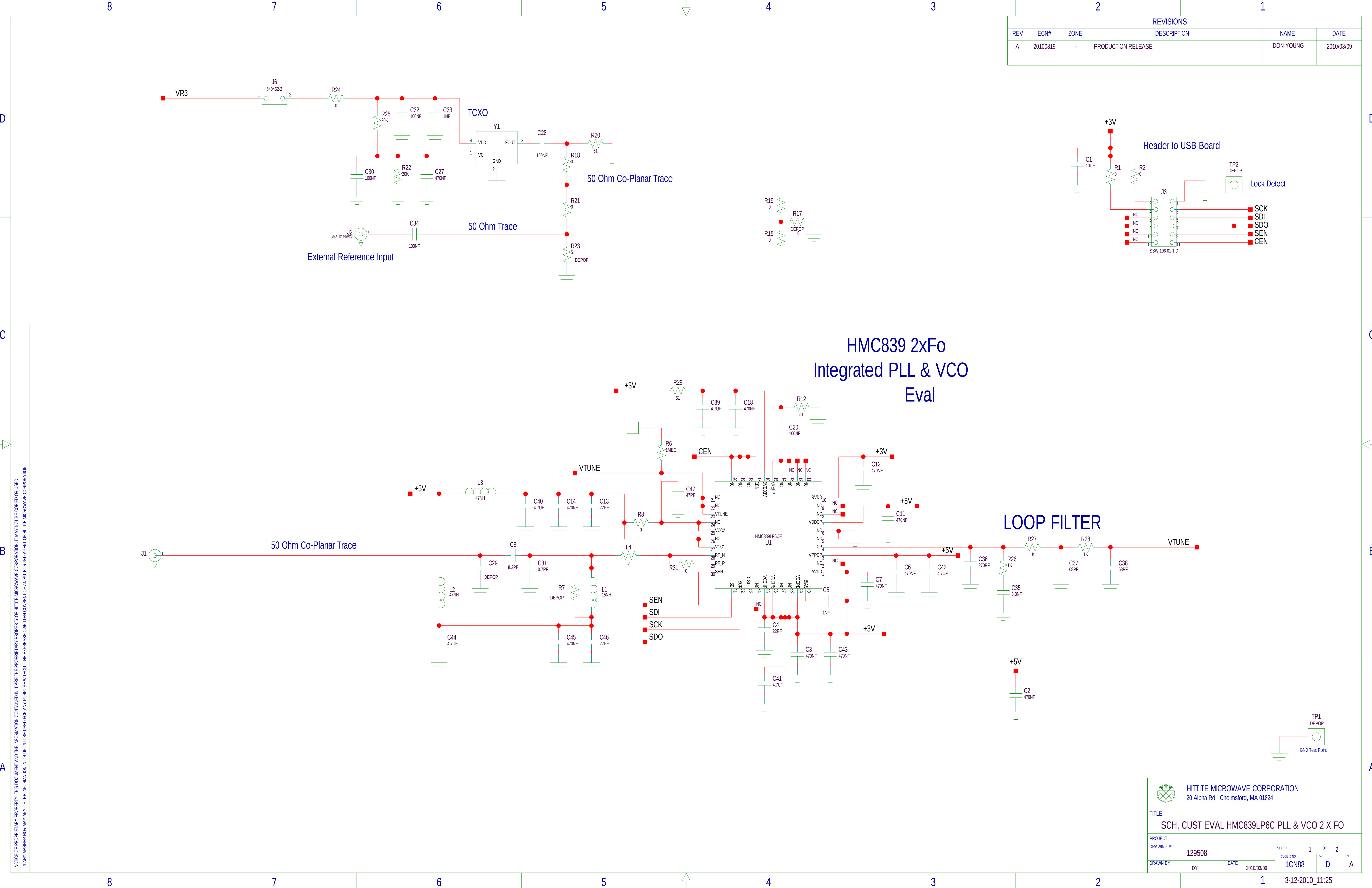


REVISIONS					
REV	ECN#	ZONE	DESCRIPTION	NAME	DATE
A	20100319	-	PRODUCTION RELEASE	DON YOUNG	2010/03/09



NOTICE OF PROPRIETARY PROPERTY: THIS DOCUMENT AND THE INFORMATION CONTAINED IN IT ARE THE PROPRIETARY PROPERTY OF HITTITE MICROWAVE CORPORATION. IT MAY NOT BE COPIED OR USED IN ANY MANNER NOR MAY ANY OF THE INFORMATION IN OR UPON IT BE USED FOR ANY PURPOSE WITHOUT THE EXPRESSED WRITTEN CONSENT OF AN AUTHORIZED AGENT OF HITTITE MICROWAVE CORPORATION.

HITTITE MICROWAVE CORPORATION
20 Alpha Rd Chelmsford, MA 01824

TITLE
SCH, CUST EVAL HMC839LP6C PLL & VCO 2 X FO

PROJECT

DRAWING #: 129508

DRAWN BY: DY

DATE: 2010/03/09

SHEET 1 **OF** 2

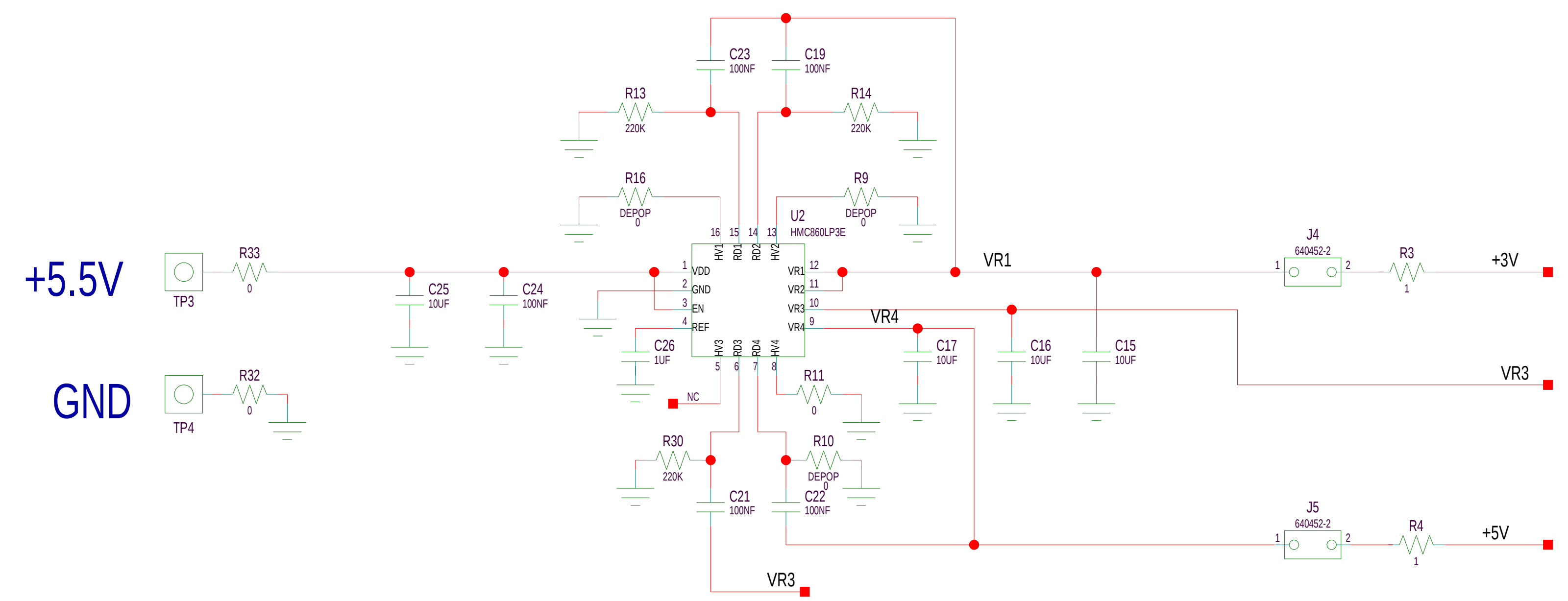
CODE ID NO. 1CN88


SIZE D

REV A

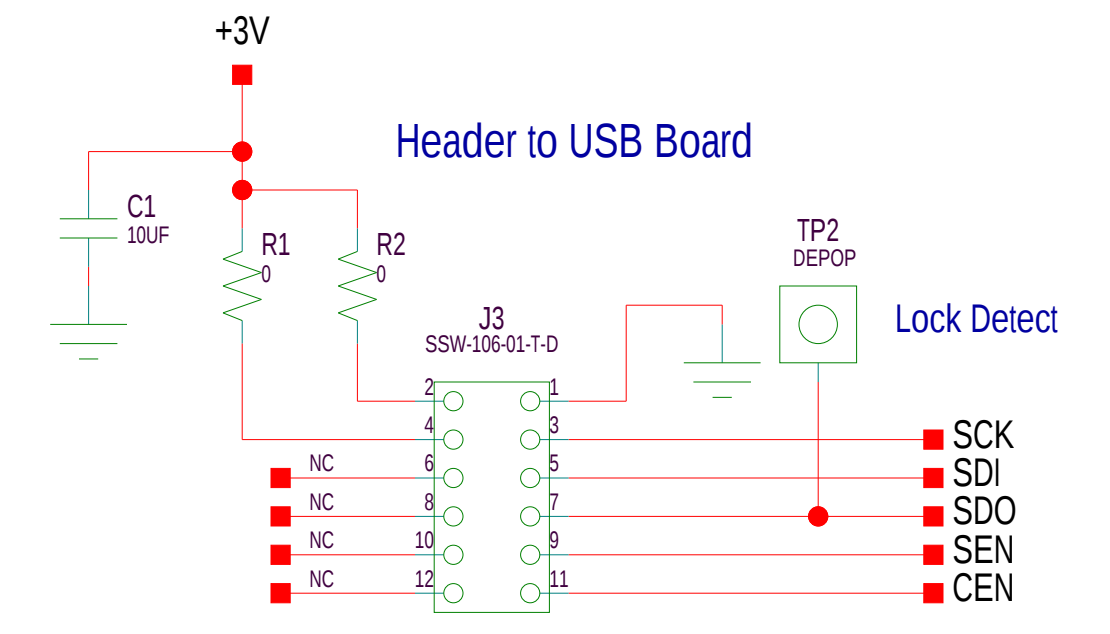
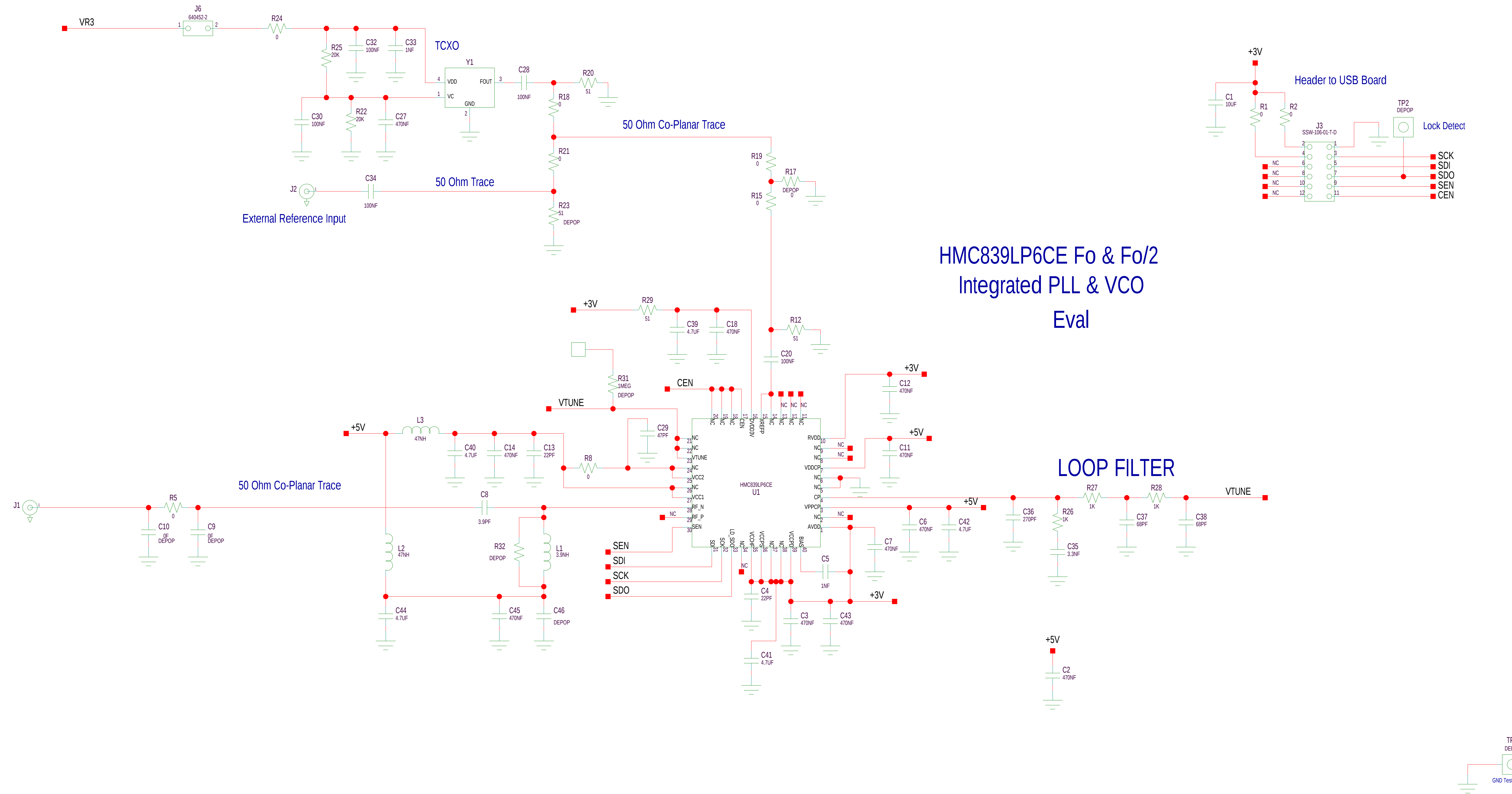
3-12-2010_11:25

Supply Regulator



 HITTITE MICROWAVE CORPORATION 20 Alpha Rd Chelmsford, MA 01824	
TITLE SCH, CUST EVAL HMC822LP6C PLL & VCO 2 X FO	
PROJECT	
DRAWING #: 129275	SHEET 2 OF 2
DRAWN BY DY	DATE 10/01/24
CODE ID NO. 1CN88	SIZE D
REV A	DATE 2-3-2010_10:51

REVISIONS					
REV	ECN#	ZONE	DESCRIPTION	NAME	DATE
A	20100319	-	PRODUCTION RELEASE	DON YOUNG	2010/03/11



HMC839LP6CE Fo & Fo/2
Integrated PLL & VCO
Eval

LOOP FILTER

NOTICE OF PROPRIETARY PROPERTY: THIS DOCUMENT AND THE INFORMATION CONTAINED IN IT ARE THE PROPRIETARY PROPERTY OF HITTITE MICROWAVE CORPORATION. IT MAY NOT BE COPIED OR USED IN ANY MANNER NOR MAY ANY OF THE INFORMATION OR UPON IT BE USED FOR ANY PURPOSE WITHOUT THE EXPRESSED WRITTEN CONSENT OF AN AUTHORIZED AGENT OF HITTITE MICROWAVE CORPORATION.

HITTITE MICROWAVE CORPORATION
20 Alpha Rd Chelmsford, MA 01824

TITLE
SCH, CUST EVAL HMC839LP6C PLL & VCO FO & FO/2

PROJECT
DRAWING #: 129507

DATE
2010/03/11

SHEET 1 OF 2
CODE ID NO. 1CN88
SIZE D
REV A

3-12-2010_11:24

8

7

6

5

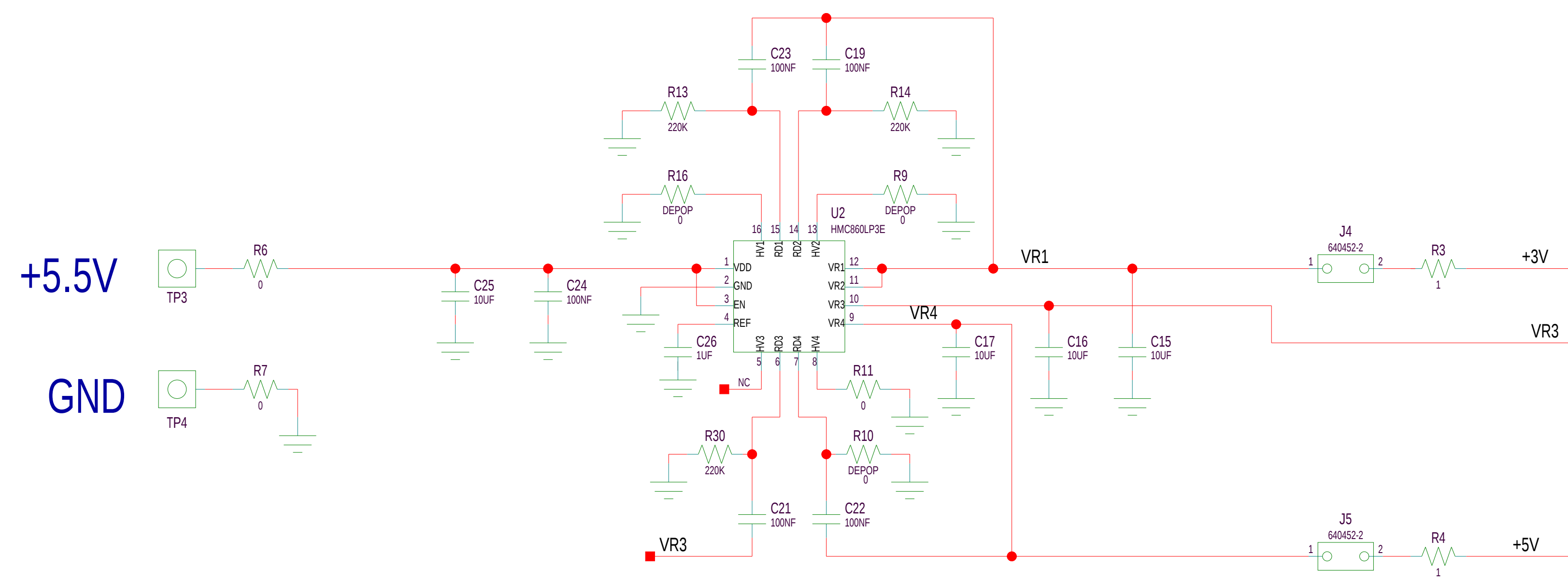
4


3

2

1

Supply Regulator



 HITTITE MICROWAVE CORPORATION 20 Alpha Rd Chelmsford, MA 01824	
TITLE SCH, CUST EVAL HMC820LP6C PLL & VCO FO & FO/2	
PROJECT	
DRAWING #: 129266	SHEET 2 OF 2
DRAWN BY: DY	DATE: 10/01/24
CODE ID NO. 1CN88	SIZE D
2-2-2010_17:44	REV A

8

7

6

5

4

3

2

1