



A Selection of Hittite Components for CELLULAR INFRASTRUCTURE

CELLULAR INFRASTRUCTURE, 380 - 2200 MHz – GSM, GPRS, CDMA, TD-SCDMA, WCDMA, UMTS & 4G/LTE

Function	400 MHz	700 / 800 / 900 MHz	1800 / 1900 MHz	2100 / 2200 MHz
Low Noise Amplifier	HMC356LP3E HMC374E HMC616LP3E HMC636ST89E	HMC372LP3E HMC376LP3E HMC617LP3E HMC636ST89E HMC718LP4E	HMC375LP3E HMC382LP3E HMC618LP3E HMC636ST89E HMC719LP4E	HMC375LP3E HMC382LP3E HMC618LP3E HMC636ST89E
Driver Amplifier & Gain Block	HMC311SC70E HMC454ST89E HMC474SC70E HMC475ST89E HMC476SC70E HMC478ST89E HMC580ST89E	HMC308E HMC311SC70E HMC454ST89E HMC474SC70E HMC475ST89E HMC476SC70E HMC589ST89E	HMC308E HMC311SC70E HMC454ST89E HMC474SC70E HMC475ST89E HMC476SC70E HMC589ST89E	HMC308E HMC311SC70E HMC454ST89E HMC474SC70E HMC475ST89E HMC476SC70E HMC589ST89E
Linear & Power Amplifier	HMC452ST89E HMC453ST89E HMC454ST89E HMC636ST89E	HMC450QS16GE HMC452ST89E HMC453ST89E HMC454ST89E HMC636ST89E	HMC452ST89E HMC453ST89E HMC454ST89E HMC457QS16GE HMC636ST89E	HMC452ST89E HMC453ST89E HMC454ST89E HMC455LP3E HMC636ST89E
Attenuator: Analog	HMC473MS8E	HMC473MS8E	HMC210MS8E	HMC210MS8E
Attenuator: Digital	HMC540LP3E HMC541LP3E HMC472LP4E HMC542LP4E HMC624LP4E HMC629LP4E	HMC540LP3E HMC541LP3E HMC467LP3E HMC542LP4E HMC624LP4E HMC629LP4E	HMC539LP3E HMC541LP3E HMC468LP3E HMC542LP4 HMC624LP4E HMC629LP4E	HMC305LP4E HMC539LP3E HMC541LP3E HMC542LP4E HMC624LP4E HMC629LP4E
Frequency Divider & Detector	HMC394LP4E HMC434E HMC439QS16GE HMC705LP5E	HMC394LP4E HMC434E HMC439QS16GE HMC705LP5E	HMC394LP4E HMC434E HMC439QS16GE HMC705LP5E	HMC394LP4E HMC434E HMC439QS16GE HMC705LP5E
Mixer	HMC387MS8E HMC585MS8GE	HMC277MS8E HMC334LP4E HMC399MS8E HMC423MS8E HMC483MS8GE HMC551LP4E HMC581LP6E HMC621LP4E HMC665LP4E HMC683LP6E HMC684LP4E HMC686LP4E	HMC215LP4E HMC334LP4E HMC381LP6E HMC400MS8E HMC485MS8GE HMC552LP4E HMC622LP4E HMC623LP4E HMC682LP6E HMC685LP4E HMC687LP4E	HMC215LP4E HMC334LP4E HMC400MS8E HMC421QS16GE HMC422MS8E HMC615LP4 HMC622LP4E HMC688LP4E HMC689LP4E
Demodulator	HMC597LP4E	HMC597LP4E	HMC597LP4E	HMC597LP4E
Modulator:	HMC495LP3E	HMC495LP3E	HMC495LP3E	HMC495LP3E
Direct Quadrature & Vector	HMC497LP4E HMC696LP4E HMC697LP4E	HMC497LP4E HMC630LP3E HMC696LP4E HMC697LP4E	HMC497LP4E HMC631LP3E HMC696LP4E HMC697LP4E	HMC497LP4E HMC631LP3E HMC696LP4E HMC697LP4E



A Selection of Hittite Components for CELLULAR INFRASTRUCTURE

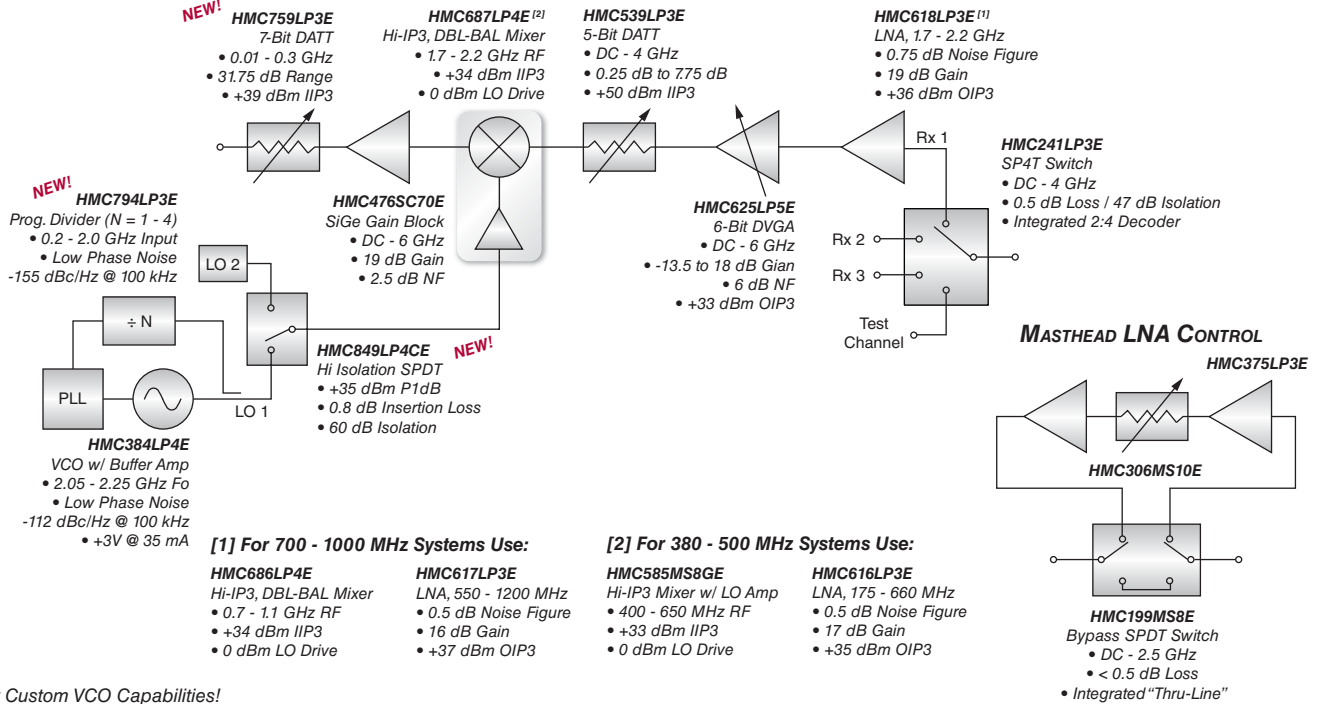
CELLULAR INFRASTRUCTURE, 380 - 2200 MHz – GSM, GPRS, CDMA, TD-SCDMA, WCDMA, UMTS & 4G/LTE

Function	400 MHz	700 / 800 / 900 MHz	1800 / 1900 MHz	2100 / 2200 MHz
PLL:	HMC700LP4E	HMC700LP4E	HMC700LP4E	HMC700LP4E
Synthesizer ICs				
Power Detector	HMC600LP4E HMC601LP4E HMC602LP4E HMC611LP4E HMC612LP4E	HMC600LP4E HMC601LP4E HMC602LP4E HMC611LP4E HMC612LP4E	HMC600LP4E HMC601LP4E HMC602LP4E HMC611LP4E HMC612LP4E	HMC600LP4E HMC601LP4E HMC602LP4E HMC611LP4E HMC612LP4E
Switch: SPST & SPNT	HMC349MS8GE HMC546MS8GE HMC550E HMC646LP2E	HMC546MS8GE HMC550E HMC574MS8E HMC646LP2E	HMC545E HMC546MS8GE HMC550E HMC646LP2E	HMC484MS8GE HMC546LP2E HMC550E HMC646LP2E
Switch: Bypass, Diversity, Matrix & Transfer	HMC199MS8E HMC596LP4E	HMC199MS8E HMC596LP4E	HMC199MS8E HMC596LP4E	HMC199MS8E HMC596LP4E
VGA	HMC625LP5E HMC626LP5E HMC627LP5E HMC628LP4E HMC640LP5E HMC680LP4E HMC681LP5E	HMC625LP5E HMC626LP5E HMC627LP5E HMC628LP4E HMC640LP5E HMC680LP4E HMC681LP5E	HMC625LP5E HMC626LP5E HMC627LP5E HMC628LP4E HMC640LP5E HMC680LP4E HMC681LP5E	HMC625LP5E HMC626LP5E HMC627LP5E HMC628LP4E HMC640LP5E HMC680LP4E HMC681LP5E

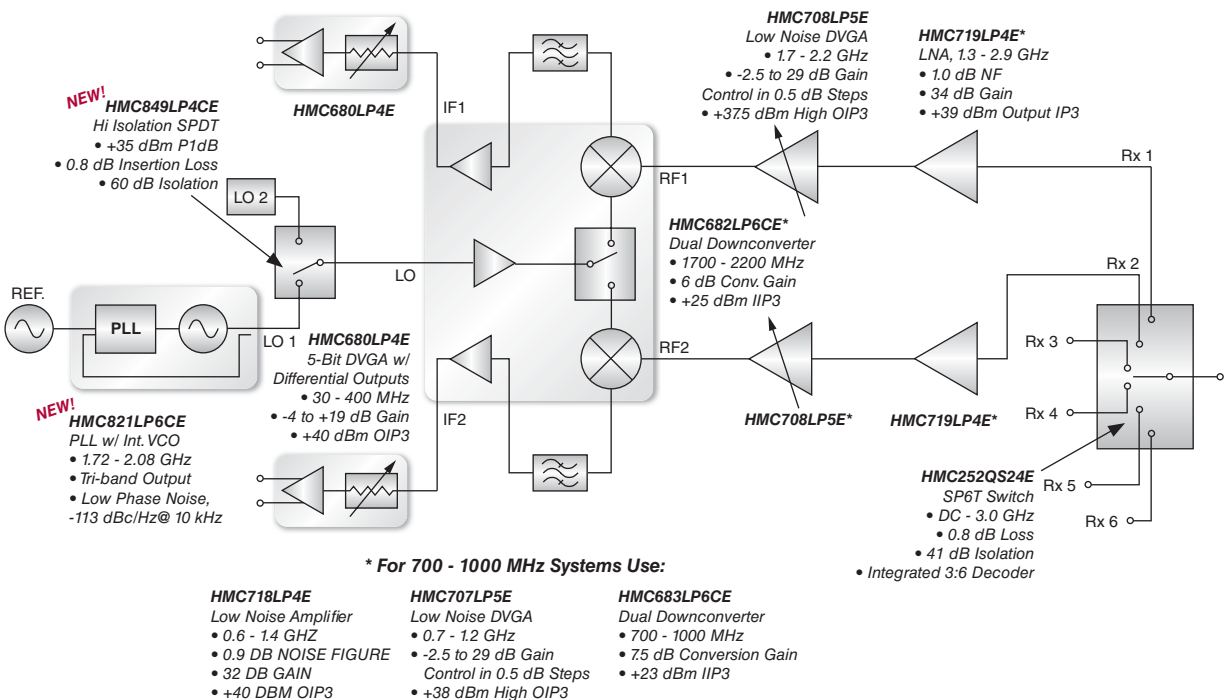


A Selection of Hittite Components for CELLULAR INFRASTRUCTURE

BTS RECEIVER SOLUTIONS FEATURING HIGH IP3 MIXER



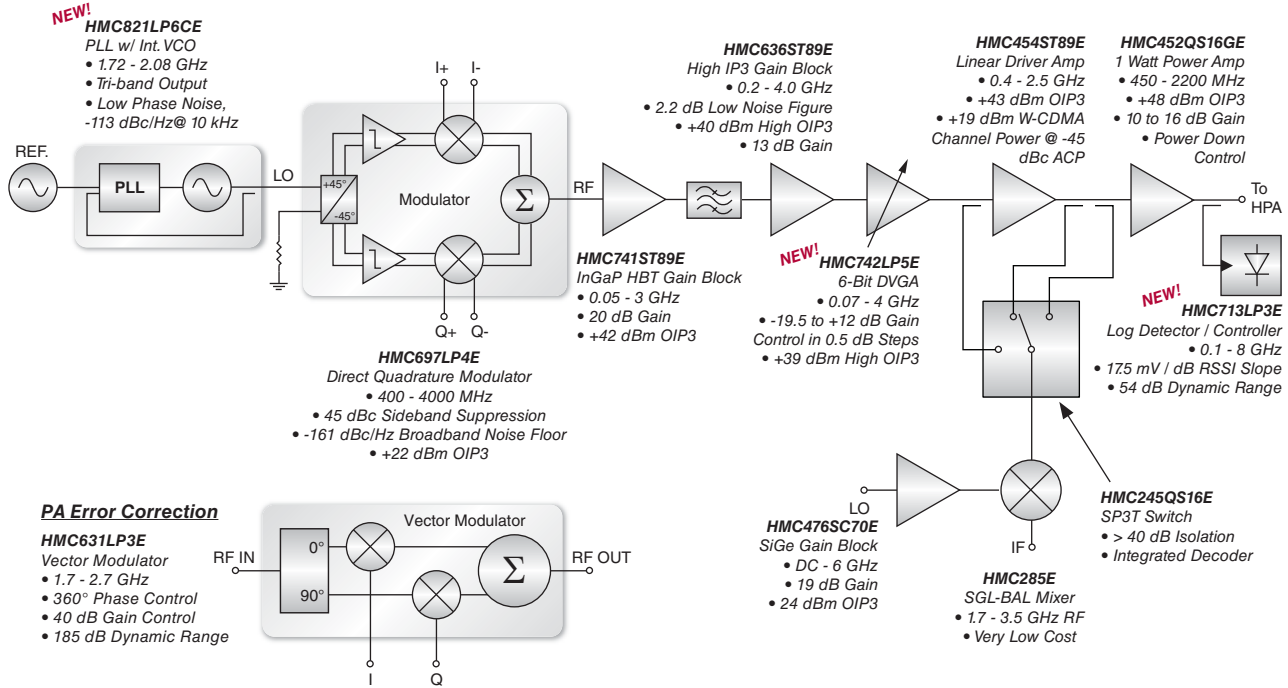
BTS RECEIVER SOLUTIONS FEATURING DUAL RFIC DOWNCONVERTER



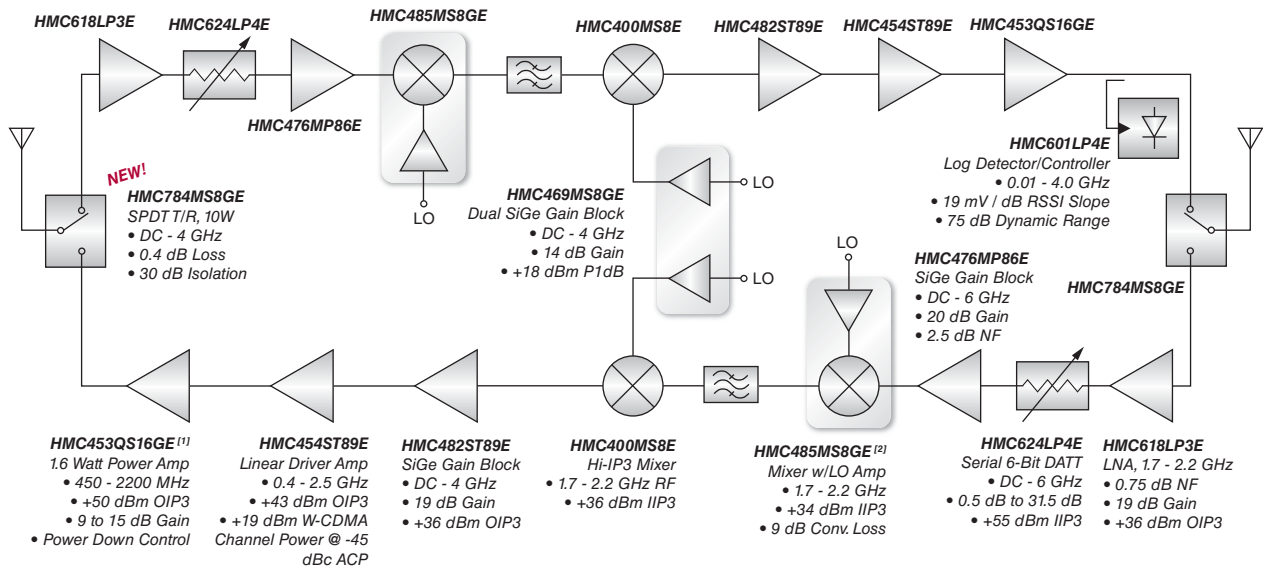


A Selection of Hittite Components for CELLULAR INFRASTRUCTURE

BTS TRANSMITTER SOLUTIONS



CDMA / GSM / TD-SCDMA REPEATER SOLUTIONS



[1] High Gain Option:

- HMC457QS16GE**
1 Watt Power Amp
• 1.7 - 2.2 GHz
• +46 dBm OIP3
• 26 dB Gain

[2] For 700 - 1000 MHz Systems Use:

- HMC483MS8GE**
Mixer w/LO Amp
• 0.7 - 1.4 GHz
• +35 dBm IIP3

Typical Cellular/PCS/3G applications are illustrated.

See the full product listing for alternatives to the select HMC products shown in each functional block.